

# CLARKE®



## PORTABLE AIR CONDITIONER MODEL NO: AC10000/13000

PART NO: 3230574/3230576

### OPERATION & MAINTENANCE INSTRUCTIONS



ORIGINAL INSTRUCTIONS

GC0518 Iss 3

---

## INTRODUCTION

---

Thank you for purchasing this CLARKE Portable Air Conditioner.

Before attempting to operate the machine, it is essential that you read this manual thoroughly and carefully follow all instructions given. In doing so you will ensure the safety of yourself and that of others around you, and you can also look forward to the product giving you long and satisfactory service.

---

## GUARANTEE

---

This CLARKE product is guaranteed against faulty manufacture for a period of 12 months from the date of purchase. Please keep your receipt as proof of purchase.

This guarantee is invalid if the product is found to have been abused or tampered with in any way, or not used for the purpose for which it was intended.

Faulty goods should be returned to their place of purchase, no product can be returned to us without prior permission.

This guarantee does not affect your statutory rights.

---

## ENVIRONMENTAL PROTECTION

---



Recycle unwanted materials instead of disposing of them as waste. All unwanted accessories and packaging should be sorted and taken to a recycling centre for disposal in a manner which is compatible with the environment.

R410A is a refrigerant that complies with EEC environmental standards. Nonetheless, the refrigerant circuit on the machine should never be punctured. At the end of its working life, consign the air conditioning unit to a special collection centre.

Through purchase of this product, the customer is taking on the obligation to deal with the WEEE in accordance with the WEEE regulations in relation to the treatment, recycling & recovery and environmentally sound disposal of the WEEE.

In effect, this means that this product must not be disposed of with general household waste. It must be disposed of according to the laws governing Waste Electrical and Electronic Equipment (WEEE) at a recognised disposal facility.

---

## SAFETY WARNINGS

---



**WARNING: IF THE SUPPLY CABLE IS DAMAGED, IT MUST BE REPLACED BY THE MANUFACTURER, ITS SERVICE AGENT OR SIMILARLY QUALIFIED PERSONS IN ORDER TO AVOID A HAZARD.**

---

1. Please read these instructions carefully and retain for future reference.
2. Position the power cable so that it cannot be inadvertently pulled or pinched, and where it does not cause a trip hazard.
3. This appliance is designed for use in residential environments and must not be used for other purposes.
4. If the appliance requires repair, always contact your CLARKE dealer. Always insist on original spare parts. Repairs carried out by unauthorized persons may be dangerous and invalidate the guarantee.
5. This appliance must only be used by adults. Children should not be allowed to play with this appliance.
6. Do not use extension power cables.
7. Before cleaning or maintenance operations, always unplug the appliance from the power supply.
8. Do not move the appliance by pulling the power cable.
9. Do not install the appliance close to sources of gas, oil or sulphur. Do not install near sources of heat.
10. Do not use the appliance on inclined surfaces.
11. Always keep the appliance at least 50 cm away from walls or furniture.
12. Keep the appliance at least 50 cm away from flammable substances (solvents etc) or pressurised containers (e.g. aerosol cans).
13. Do not rest heavy or hot objects on top of the appliance.
14. Do not use the appliance outdoors.
15. Do not obstruct or restrict the airflow to the inlet or from the air outlet.

# ELECTRICAL CONNECTIONS



**WARNING! READ THESE ELECTRICAL SAFETY INSTRUCTIONS THOROUGHLY BEFORE CONNECTING THE PRODUCT TO THE MAINS SUPPLY.**

Before switching the product on, make sure that the voltage of your electricity supply is the same as that indicated on the rating plate. This product is designed to operate on 230 V AC 50Hz. Connecting it to any other power source may cause damage.


This product may be fitted with a non-rewireable plug. If it is necessary to change the fuse in the plug, the fuse cover must be refitted. If the fuse cover becomes lost or damaged, the plug must not be used until a suitable replacement is obtained.

If the plug has to be changed because it is not suitable for your socket, or due to damage, it should be cut off and a replacement fitted, following the wiring instructions shown below. The old plug must be disposed of safely, as insertion into a mains socket could cause an electrical hazard.

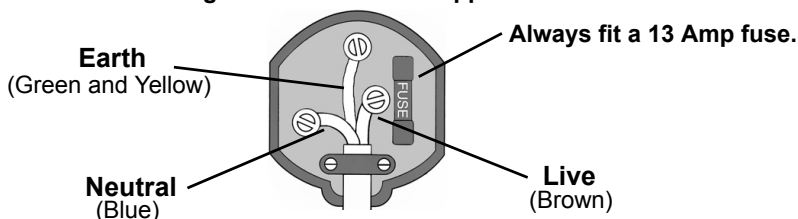


**WARNING! THE WIRES IN THE POWER CABLE OF THIS PRODUCT ARE COLOURED IN ACCORDANCE WITH THE FOLLOWING CODE:  
Blue = Neutral    Brown = Live    Yellow and Green = Earth**

If the colours of the wires in the power cable of this product do not correspond with the markings on the terminals of your plug, proceed as follows.

- The wire which is coloured **Blue** must be connected to the terminal which is marked **N** or coloured **Black**.
- The wire which is coloured **Brown** must be connected to the terminal which is marked **L** or coloured **Red**.
- The wire which is coloured **Yellow and Green** must be connected to the terminal which is marked **E** or  or coloured **Green**.

**Plug must be BS1363/A approved.**



**Ensure that the outer sheath of the cable is firmly held by the clamp**

**We strongly recommend that this machine is connected to the mains supply via a Residual Current Device (RCD)**

If in any doubt, consult a qualified electrician. DO NOT attempt any repairs yourself.

# OVERVIEW



No	DESCRIPTION	No	DESCRIPTION
1	Air Outlet Flap	6	Lower Air Filter Frame
2	Control Panel	7	Power Cable with storage
3	Handle	8	Water Drain Port
4	Upper Air Filter Frame (Air Intake)	9	Power Plug Storage Socket
5	Air Outlet Port		

---

## CONTENTS

---

Ensure the air conditioner and its components suffered no damage during transit and that all components are present. Should any loss or damage be apparent, please contact your CLARKE dealer immediately.

The following components are supplied with the unit;

1. Flexible exhaust duct.
2. Adjustable window slider plate.
3. Remote control unit.

---

## INSTALLATION

---

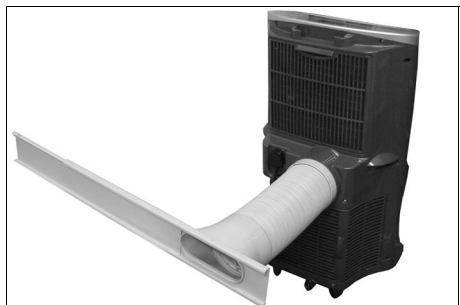
**IMPORTANT:** Do not position your air conditioner where it will be exposed to sources of heat above 40°C.

1. Always transport the air conditioner upright or resting on one side. Remember to drain the tank before moving the appliance.
  - It is recommended to wait up to 24 hours after transporting the air conditioner before using it, to allow the refrigerant gasses to settle.
2. Position the unit on a level, dry surface with at least 50 cm of free air space around the unit.

**NOTE:** Do not use the air exhaust duct when in DRY or FAN only modes.

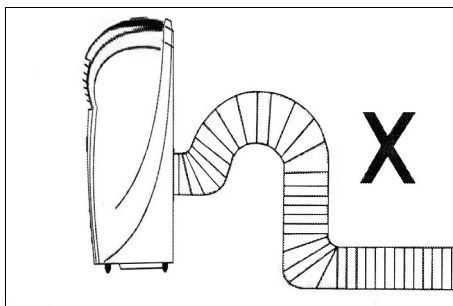
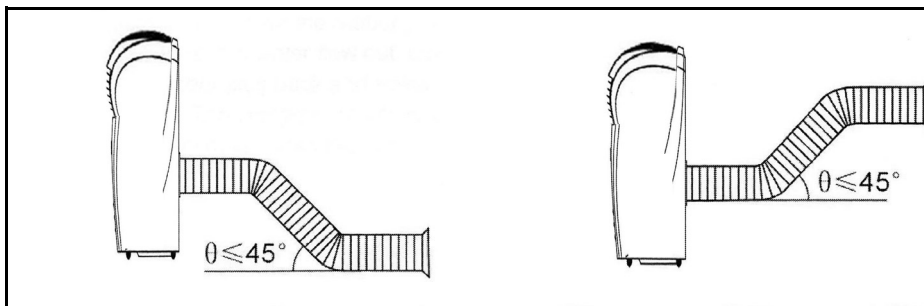
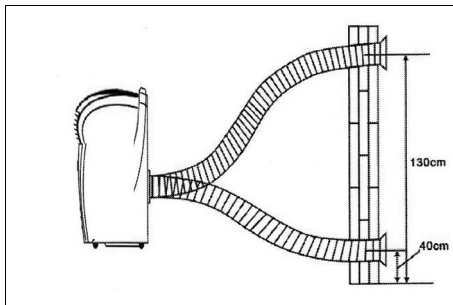
3. Fit the flexible exhaust duct by pushing some of the ducting ribs past the locking channels and then keep twisting the whole ducting anti-clockwise until the ducting tightens in the outlet port.
4. Fit the window exhaust adaptor to the other end of the duct.
5. Move the air conditioner into position, and extend the flexible exhaust duct to suit your window layout.
6. Pass the discharge end out of the nearest window.

**NOTE:** The length of the exhaust duct is variable between 480 mm and 1500 mm (adaptors included). Using a shorter length of ducting uses less energy.

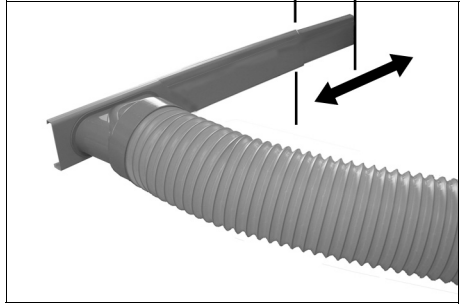


**NOTE:** The length of duct has been designed to suit the specification of the air conditioner. Do not use an extension or change to a different size duct as it may lead to poor performance.

7. The flexible exhaust ducting can be bent to an angle if followed by a straight section, but tight curves and kinks must always be avoided.



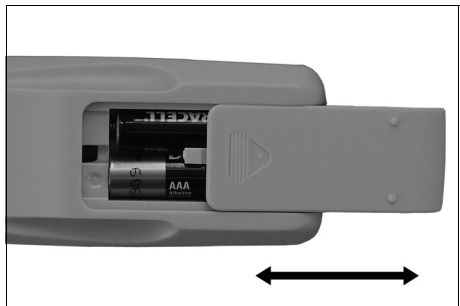
8. The window slider plate is designed to fit most standard vertical sash type and horizontal sliding windows. However, it may be necessary for you to adapt the installation procedure for various other types of window.



9. Extend the two parts of the window slider and fit into the window opening, below or beside the window panel. Secure in position by closing the window, or if not secure, wedge or otherwise secure the window slider plate so that it cannot fall out.

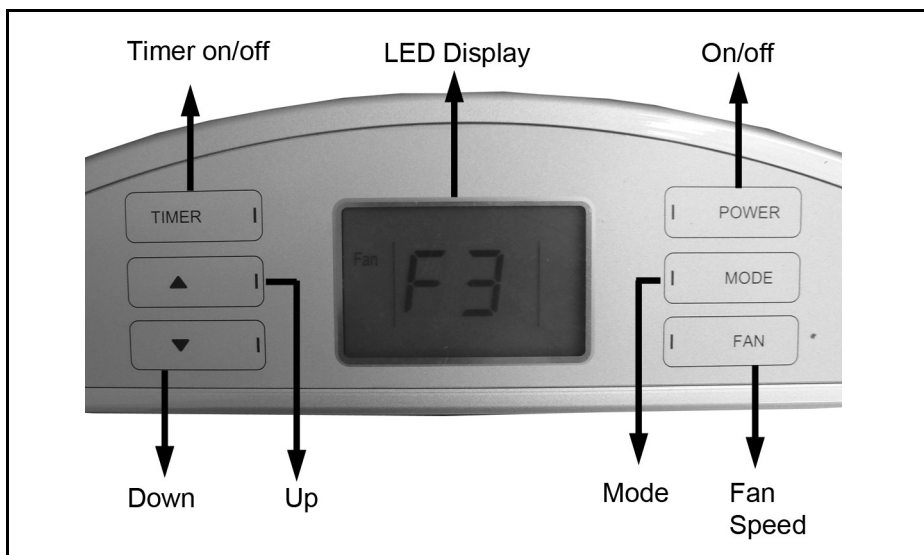
10. Fit two AAA size batteries to the remote control unit by sliding the battery cover away and installing the batteries to face in opposing directions as indicated by the symbols inside the unit.

- Follow the polarity diagram inside the battery compartment.





## CONTROL PANEL

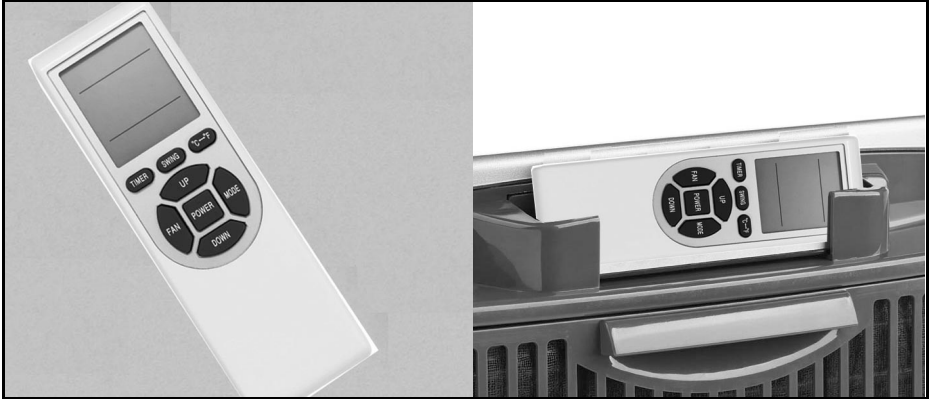


The control panel has the following buttons:

1. **POWER:** Press this button to turn the unit on & off. When turned on, the machine will start running in the previously selected mode.
  - If the ambient temperature is above 35°C, the display will indicate "H" and enter standby mode.
  - If it is below 5°C it will indicate "L" and the unit will enter standby mode.
2. **TIMER:** Press this to select the timer mode and the main display will initially show "0". Set the running time from 0-24 hours using the UP/DOWN buttons.
3. **MODE:** Press this button to select from COOLING, FAN, DRYING or ENERGY SAVER modes.
4. **UP/DOWN:** Press the UP or DOWN buttons to set the required temperature or adjust the running time in the TIMER mode.
  - Press these buttons simultaneously to switch from Celsius to Fahrenheit display.
5. **FAN:** Press this button to select Low, Medium or High (F1-F3) fan speed. If switching between cooling and fan mode, the fan speed remains the same. During dehumidifying, the fan will run at low speed. "In fan mode, press this button for 5s, the up motor and down motor will start simultaneously. This function is to dry the water on the evaporator, to avoid the damp and mildew."

## REMOTE CONTROL

The remote control can be stored in the holder provided at the top of the air conditioning unit as shown. It requires 2 x AAA batteries to be installed as shown on page 8.



The remote control incorporates the following pushbuttons:

<b>POWER</b>	Turns the unit on or off.
<b>TIMER</b>	Sets the timer On/Off and allows the running time duration to be adjusted using the Up/Down arrows.
<b>SWING</b>	Sets the air outlet cover to open and close. The cover automatically closes when the unit is switched off to prevent the ingress of dust.
<b>°C/°F</b>	Switches the display between degrees Celsius to degrees Fahrenheit.
<b>MODE</b>	Selects either: COOLING mode DRYING mode FAN mode
<b>UP or DOWN (arrows)</b>	Sets the target temperature or adjusts the run time duration in TIMER mode.
<b>FAN</b>	"Selects the fan speed to HIGH(F3), MID(F2) or LOW(F1).

---

# OPERATION

---

## GENERAL OPERATION

If the room is exposed to direct sunlight, draw any curtains during the sunniest part of the day.

**NOTE:** Always drain any remaining water from the unit via the drain plug after operating in DRY mode. The unit will automatically stop working when water reaches the high level.

**NOTE:** Do not use the air exhaust duct when in DRY or FAN modes.

## SETTING THE TIMER

1. Press TIMER button once, the "TIMER" on the LED display and the double 8 area will be light and flashing, then press UP or DOWN button to adjust the set time.
2. This function can work whether the machine in on or off, and when the set time has elapsed, the unit will switch off or switch on automatically.
3. When the timer is set, press TIMER button once to show the remaining time; and press TIMER button twice within 5s to cancel the timer.
4. Turn on or turn off the unit will cancel the timer.

## SETTING COOLING MODE (TARGET TEMPERATURE)

1. With the unit turned on, press the MODE button & choose COOLING mode.
2. Press the UP/DOWN button to set the desired room temperature.
  - The selectable range is 16-30°C (61-86°F) and the temperature will change by 1°C or 1°F each time the button is pressed.
3. Press the FAN button to choose a fan speed from F1 to F3.
4. Press the swing button to set the air outlet flap moving up and down to circulate the air more freely if required.

## SETTING DRYING (DEHUMIDIFYING) MODE

1. With the unit turned on, press MODE button on the panel to select DRY mode.
  - The fan speed will run at F1 and the LED will display the actual room temperature.

---

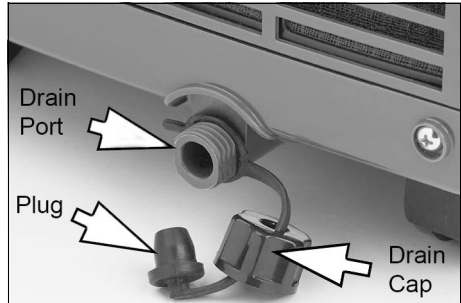
## DRAINING OFF THE WATER

---

The air conditioner has a self-evaporating system. The condensing water will recycle to cool the condenser, which improves cooling efficiency but also saves energy and reduces noise. The condensation may eventually collect faster than the system can cycle and the water container will become full.

When the water container is full, 'FL' will flash on the LCD and the appliance will stop running.

1. Before emptying the water, switch off and disconnect from the power supply. Take care not to tilt the machine causing water to spill from the collection tray.
2. Remove the drain cap and plug from the drain port and let the water flow out into a container.
3. Once drained, replace the plug and drain cap and switch back on.



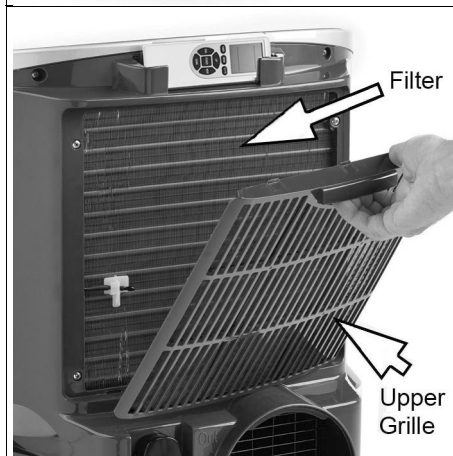
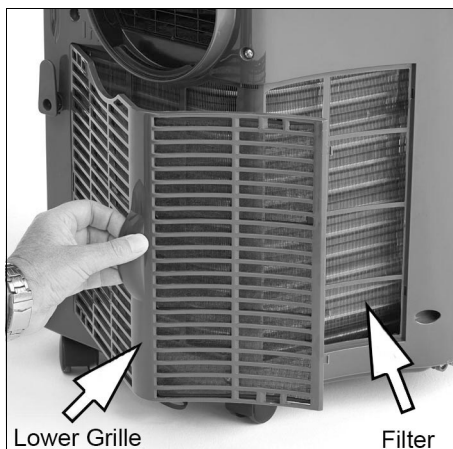
# MAINTENANCE

## CLEANING



**WARNING: ALWAYS TURN OFF THE UNIT AND DISCONNECT FROM THE POWER SUPPLY BEFORE CLEANING.**

1. Clean the outside surfaces of the unit with a duster or a soft, moist cloth.
  - Do not use solvents which could damage the plastic components.
2. If the air filters are blocked with dust, the efficiency of the unit will be reduced. Clean the filters after approximately four weeks of use.
3. To remove the air filters, unclip the grilles and lift away the filters from inside the grille.
4. Wash the air filters gently in warm water with a mild detergent. Rinse the filters and dry them gently out of direct sunlight.
  - Make sure the filter is dry before use.
5. Clip the filters back into position and re-fit the grilles.



## STORAGE

1. If the appliance is not going to be used for some time, remove the drain cap/plug and ensure all the water is removed.
2. Operate the unit in FAN mode at low speed until all the drain outlet is dry. This will discourage the growth of mould inside the unit.
3. Switch off the unit and disconnect the power cable. Coil it around the hooks at the back of the machine and set the plug in the socket provided.
4. Remove and contract the exhaust duct and store it carefully.
5. Remove the batteries from the remote control to preserve battery life.
6. Cover the unit with a plastic bag and store it in a dry location.

---

## FAULT CODES

---

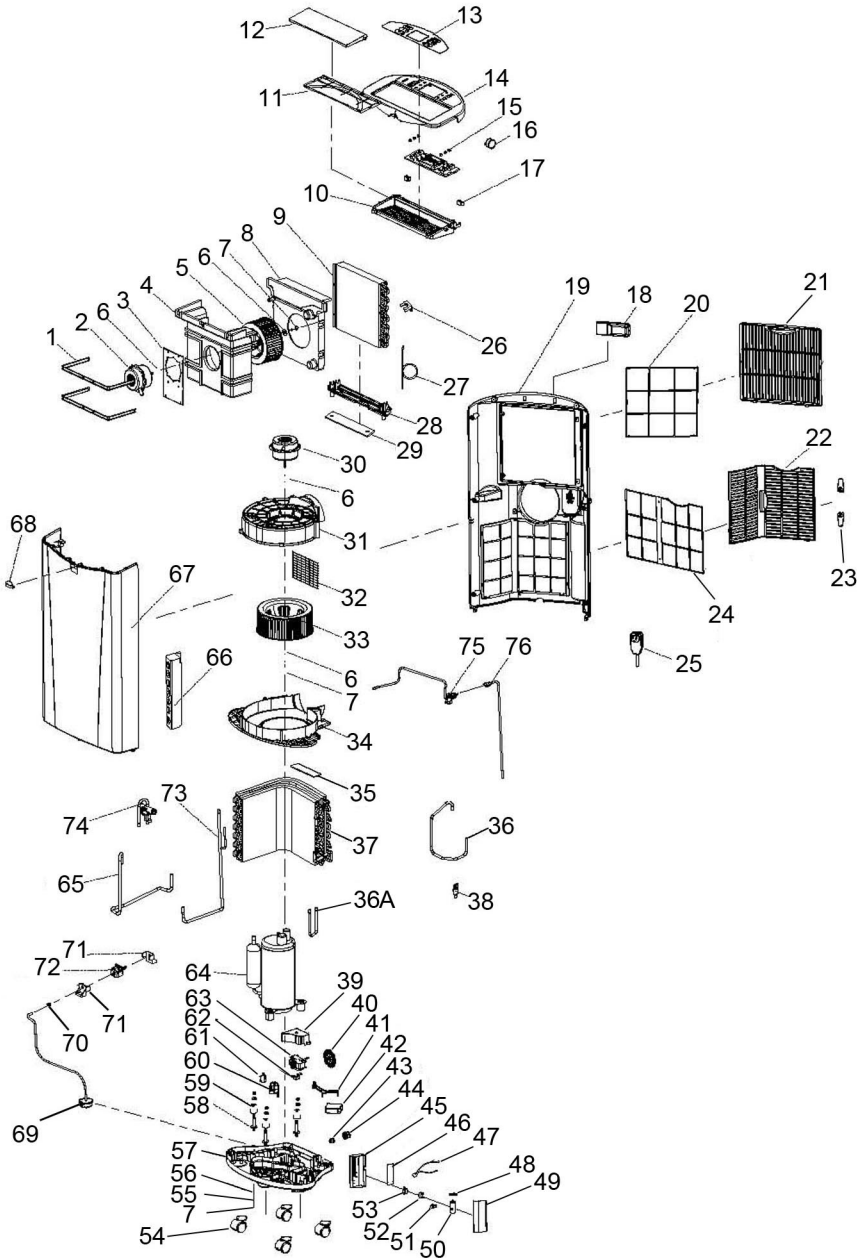
The following fault codes can be displayed on the control panel.

Fault Code	Diagnosis of Fault	Action Required
E1	Coil temperature is abnormal	Return to Clarke Service Department to check coil temperature sensor or relevant circuit
E2	Room temperature is abnormal	Return to Clarke Service Department to check room temperature sensor or relevant circuit
E4	Anti-freezing protection	Waiting for defrosting, function will recover automatically.
FL	Water is full inside the machine.	Drain water from drain port at bottom rear of unit.

## TROUBLESHOOTING

Problem	Check	Solution
The unit fails to operate	<p>Check for power failure if unit is plugged in.</p> <p>Check the switch is on and that the fuse is not blown.</p> <p>Is the set running time correct?</p> <p>Check that the water full alarm is not on.</p> <p>Room temperature is unsuitable.</p>	<p>Plug the unit into the socket.</p> <p>Replace fuse or switch on.</p> <p>Change the set time duration.</p> <p>Drain the water container.</p> <p>Check that room temperature is between 5-35°C</p>
Inefficient cooling	<p>Unit is standing in direct sunlight.</p> <p>Is air inlet or outlet blocked?</p> <p>Doors or windows open or another source of heat in the room?</p> <p>Are the air filters very dirty?</p> <p>Is the set temperature suitable?</p>	<p>Draw the curtains to shield form sunlight.</p> <p>Clear blockage.</p> <p>Close windows/doors. Remove the heat source.</p> <p>Clean the air filters.</p> <p>Change the temperature</p>
Noise or vibration	Is the unit standing on an uneven surface?	Stand the unit on a flat, firm surface.
Compressor doesn't work	Heat protection circuit has cut in.	Wait 3 minutes before re-starting unit.
The remote control doesn't work	<p>The unit is too far away</p> <p>Batteries are flat.</p> <p>Remote control not pointing at the air conditioner.</p>	<p>Move closer to the unit</p> <p>Replace the batteries</p> <p>Aim the remote control at the unit.</p>

# PARTS DIAGRAM





## PARTS LIST

PART NO	DESCRIPTION	PART NO	DESCRIPTION
1	Retaining Bracket	35	Upper Foam Seal
2	Discharge Fan Motor	36	Compressor Exhaust Duct
3	Fan Housing Bracket	37	Condenser Assembly
4	Discharge Fan Front Casing	38	Connecting Pipe Filter
5	Discharge Fan	39	Motor Cover
6	Metal Gasket	40	Pump Flywheel
7	Nut	41	Float Holder
8	Discharge Fan Rear Casing	42	Float
9	Evaporator	43	Sealing Plug
10	Air Outlet Grille	44	Drain Socket
11	Moving Cover Base	45	Control Box
12	Moving Cover top	46	Control Board
13	Display Panel	47	Temperature Sensor
14	Top Cover Panel	48	Capacitor Holder
15	Touch Control Panel	49	Control Box Cover
16	Stepping Motor	50	Capacitor (compressor)
17	Fixing Clip	51	Connector
18	Remote Control	52	Capacitor
19	Rear Shell	53	Transformer
20	Upper Filter Screen	54	Caster Assembly
21	Upper Air Grille	55	Spring Washer
22	Lower Air Grille	56	Compressor Fixing
23	Cable Storage Hook	57	Base
24	Lower Filter Screen	58	Mounting Bolt
25	Power Cable	59	Compressor Foot
26	Temperature Sensor PCB	60	Switch Fixing
27	Capillary	61	Micro Switch
28	Water Tray	62	Support
29	Water Tray Sealing Foam	63	Pump Motor
30	Motor	64	Compressor
31	Motor Support Duct	65	Suction Pipe 1
32	Grille	66	Air Diffuser
33	Lower Fan	67	Front Cover Panel
34	Lower Fan Ducting	68	Receiving Mirror

PART NO	DESCRIPTION	PART NO	DESCRIPTION
69	Filter Assembly	74	Four-Way Valve
70	Special Spring	75	Fittings Assembly
71	Anti-vibration Rubber	76	Cover Assembly
72	Electromagnetic Pump	36A	Four-Way Valve Connect Pipe
73	Suction Pipe 2		

## TECHNICAL SPECIFICATIONS

	AC10000	AC13000
Power Supply	230V/50Hz	
Weight	30 kg	33 kg
Dimensions (L x W x H)	355 x 465 x 850 mm	
Water Holding Capacity	0.5 L	
Air Flow Volume	430 m <sup>3</sup> /h	435 m <sup>3</sup> /h
Operating Temperature	5 - 35°C	
Exhaust Duct Diameter	135 mm	
Exhaust Duct Length (expanded)	1500 mm	
Permissible Excessive Operating Pressure (suction/discharge)	1.0 Mpa/3.5MPa	
Max Pressure (Low/High Pressure Side)	1.5 Mpa/5.5MPa	
Sound Pressure Level	Under 70 dB LpA	
Sound Power Level	65 dB LwA	
Energy Efficiency	EU Class A	
Energy Consumption	1.2 kWh/60min	1.4 kWh/60min
Cooling Capacity	2.60 kW	3.50 kW
Electrical Insulation Class	1	
Energy Efficiency rate (EER)	2.6	

### REFRIGERANT DATA

This product contains hemetically sealed fluorinated greenhouse gasses,

Type	R410A	R410A
Volume	480 g	620 g
GWP	2088	2088
Co <sup>2</sup> Equivalent	1.002 †	1.295 †

# DECLARATION OF CONFORMITY



**Clarke**<sup>®</sup>  
**INTERNATIONAL**

Hemnal Street, Epping, Essex CM16 4LG

## DECLARATION OF CONFORMITY

**This is an important document and should be retained.**

**We hereby declare that this product(s) complies with the following directive(s):**

- 2014/30/EU *Electromagnetic Compatibility Directive.*
- 2014/35/EU *Low Voltage Equipment Directive.*
- 2011/65/EU *Restriction of Hazardous substances.*
- 2009/125/EC *Eco-design Requirements for Energy Related Products..*

**The following standards have been applied to the product(s):**

- EN 60335-1:2012+A11:2014+A12:2017, EN 60335-2-40:2003+A11+A12+A1+A2+A13:2012,*
- EN 62233:2008, EN 55014-1:2006+A1+A2:2011, EN 55014-2:2015, EN 61000-3-2:2014,*
- EN 61000-3-3:2013.*

The technical documentation required to demonstrate that the product(s) meet(s) the requirement(s) of the aforementioned directive(s) has been compiled and is available for inspection by the relevant enforcement authorities.

The CE mark was first applied in: 2012

**Product Description:** Portable Air Conditioners  
**Model number(s):** AC10000, AC13000  
**Serial / batch Number:** N/A  
**Date of Issue:** 09/05/2018

**Signed:**

**J.A. Clarke**  
**Director**

# A SELECTION FROM THE VAST RANGE OF

# Clarke®

## QUALITY PRODUCTS

### AIR COMPRESSORS

From DIY to industrial, Plus air tools, spray guns and accessories.

### GENERATORS

Prime duty or emergency standby for business, home and leisure.

### POWER WASHERS

Hot and cold, electric and engine driven - we have what you need

### WELDERS

Mig, Arc, Tig and Spot. From DIY to auto/industrial.

### METALWORKING

Drills, grinders and saws for DIY and professional use.

### WOODWORKING

Saws, sanders, lathes, mortisers and dust extraction.

### HYDRAULICS

Cranes, body repair kits, transmission jacks for all types of workshop use.

### WATER PUMPS

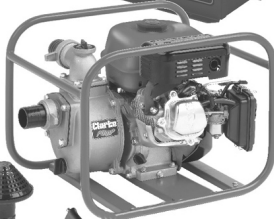
Submersible, electric and engine driven for DIY, agriculture and industry.

### POWERTOOLS

Angle grinders, cordless drill sets, saws and sanders.

### STARTERS/CHARGERS

All sizes for car and commercial use.



**PARTS & SERVICE: 0208 988 7400**  
E-mail: [Parts@clarkeinternational.com](mailto:Parts@clarkeinternational.com) or [Service@clarkeinternational.com](mailto:Service@clarkeinternational.com)  
**SALES: UK 01992 565333 or Export 00 44 (0)1992 565335**

**Clarke®** INTERNATIONAL Hemnall Street, Epping, Essex CM16 4LG  
[www.clarkeinternational.com](http://www.clarkeinternational.com)